

A

B

C

D

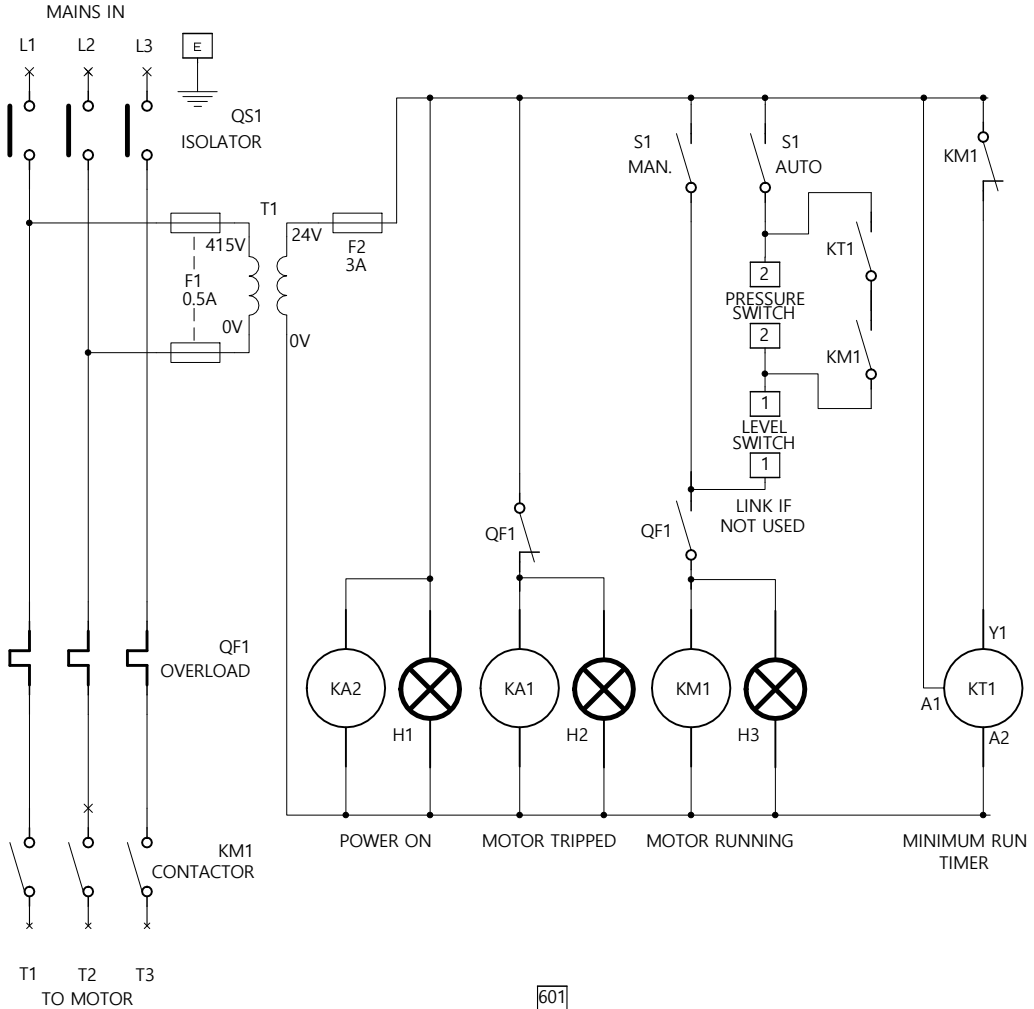
E

F

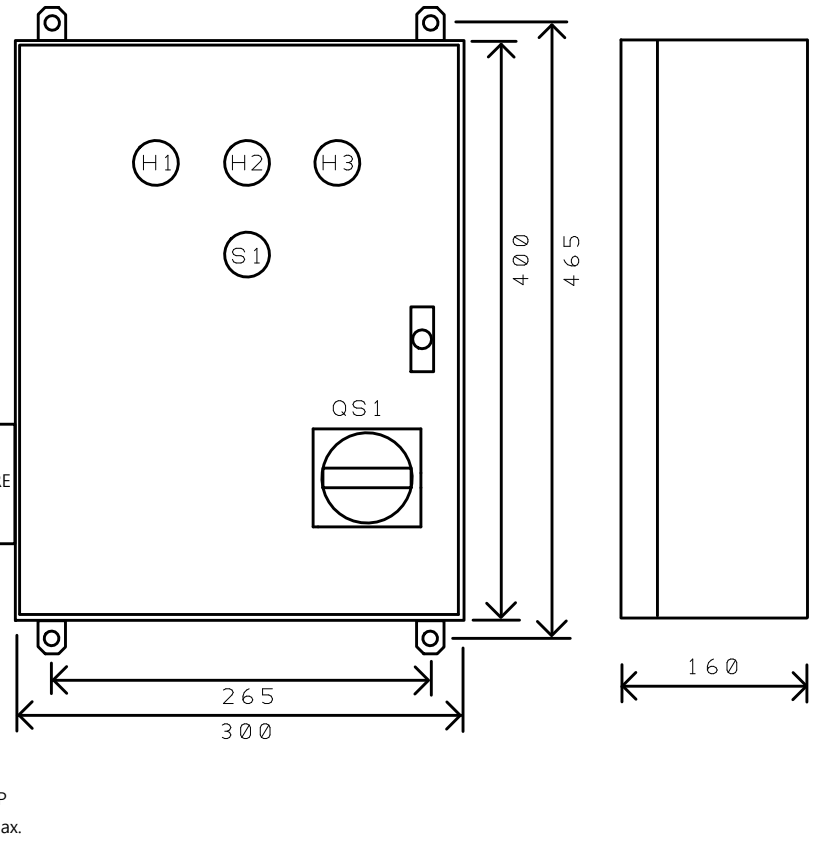
SCHEMATIC DIAGRAM

EXTERNAL VIEW

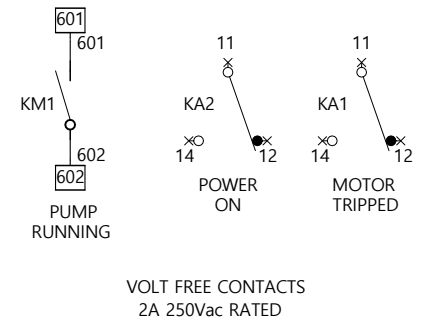
1



2



3



4

NOTES;
ENCLOSURE; SHEET STEEL
RATING; IP54
COLOUR; RAL7035

DO NOT SCALE

PROJECT: H350u J.P PANEL, UL listed		HARRIJESS LTD GRANTHAM ENGLAND
DRAWING TITLE: GENERAL ARRANGEMENT		
DRAWN BY: DAVID CARTER		REVISION: 4
SHEET: 1 OF 1	STATUS: PRODUCTION	
DATE: 12/10/2021	<HARRIJESS>	JS082 REV04