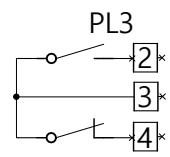
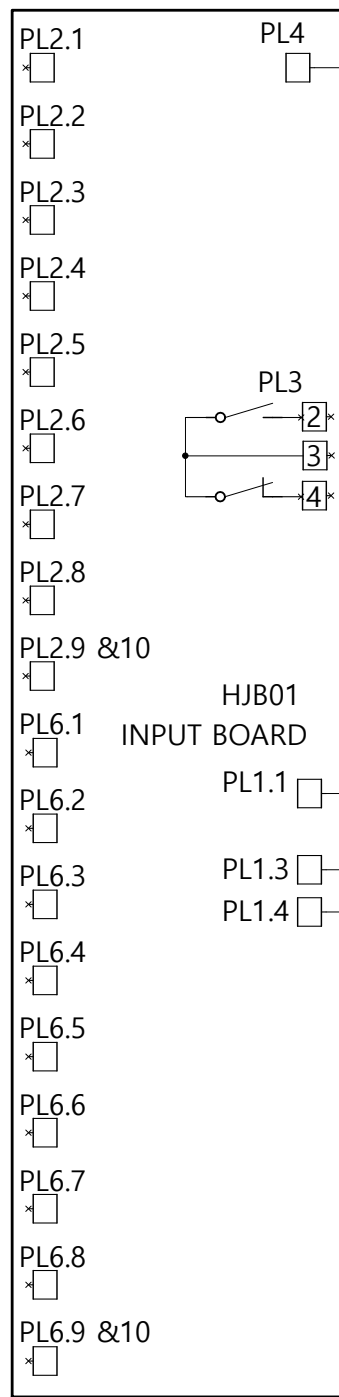
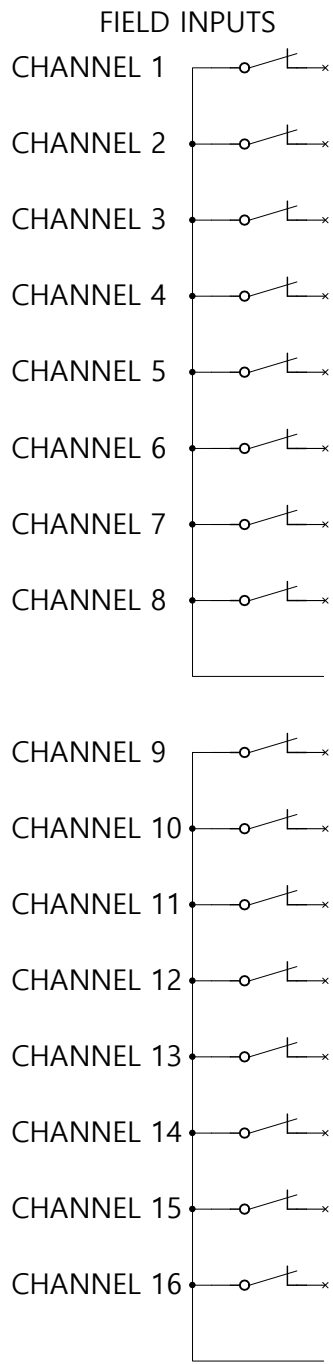


1

2

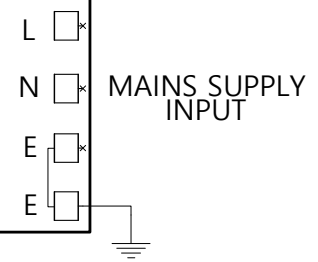
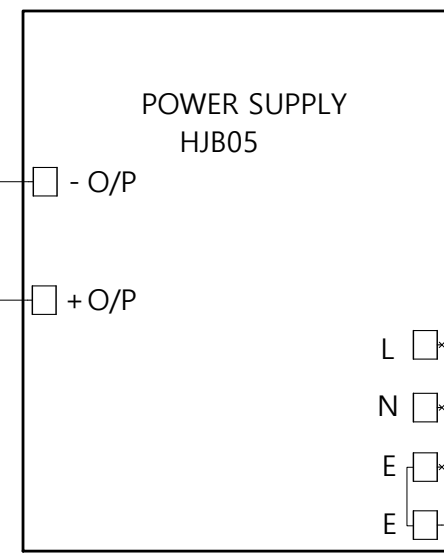
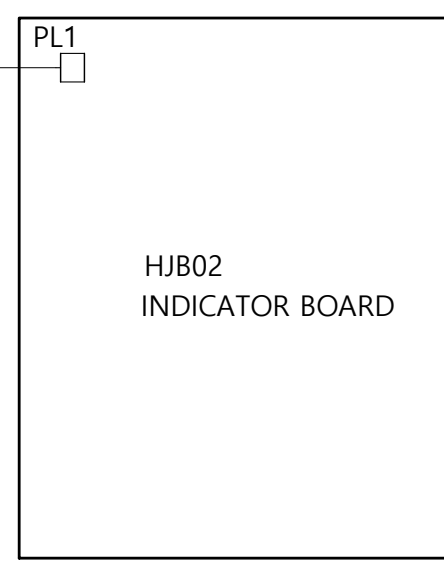
3

4



COMMON FAULT
VOLT FREE
(SHOWN IN
HEALTHY STATE)

RIBBON CABLE



PROJECT: H400 . REMOTE MONITOR PANEL		HARRIJESS LTD GRANTHAM ENGLAND
DRAWING TITLE: INTERNAL SCHEMATIC DIAGRAM		
DRAWN BY: DAVID CARTER		REVISION: 2
SHEET: 1 OF 1	STATUS: PRODUCTION	
DATE: 22 / 1 / 2020	<HARRIJESS>	MS015 REV02