

A

B

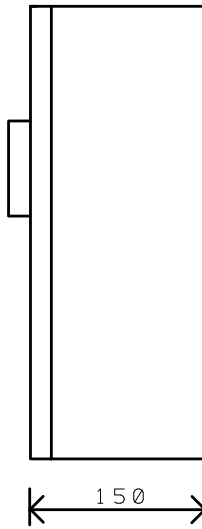
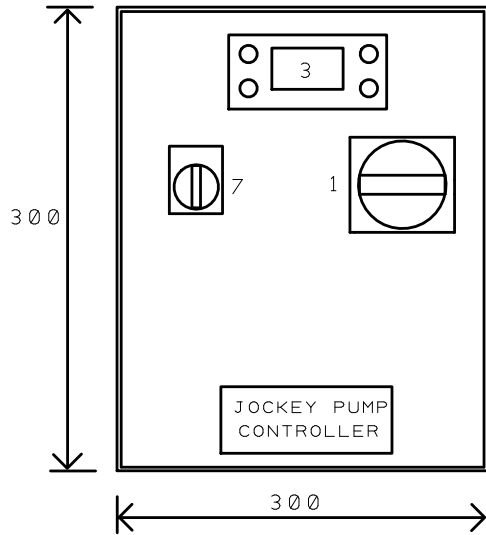
C

D

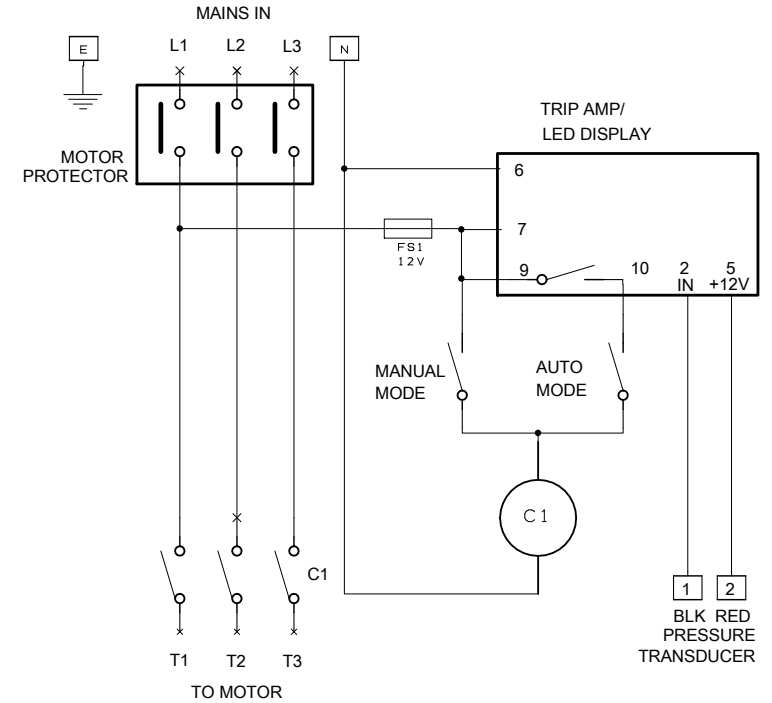
E

F

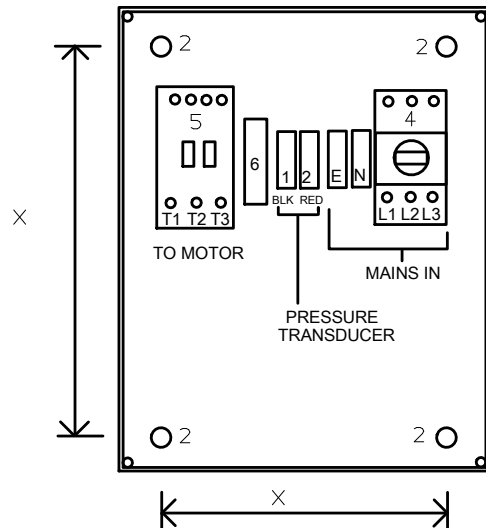
EXTERNAL VIEW
HINGED THIS SIDE



SCHEMATIC DIAGRAM



INTERNAL VIEW



ITEM	DESCRIPTION
1	AC ISOLATOR
2	4x MOUNTNG HOLES
3	LED DISPLAY
4	SWITCH / PROTECTOR
5	MOTOR CONTACTOR
6	FUSE, FS1
7	SWITCH, AUTO-OFF-MAN

RATING: 415V UP TO 4.2kW, FLA=8A
415V, 3 PHASE & NEUTRAL
MATERIAL: 1.6MM SHEET STEEL
INGRESS: IP54

PROJECT: JOCKEY PUMP PANEL, NFPA
DRAWING TITLE: GENERAL ARRANGEMENT
DRAWN BY: DAVID CARTER REVISION: 1

HARRIJESS LTD
GRANTHAM
ENGLAND

SHEET: 1 OF 1 STATUS: PRELIMINARY

DATE: 5/06/2017

<HARRIJESS>

JG026 REV01

DO NOT SCALE