

A

B

C

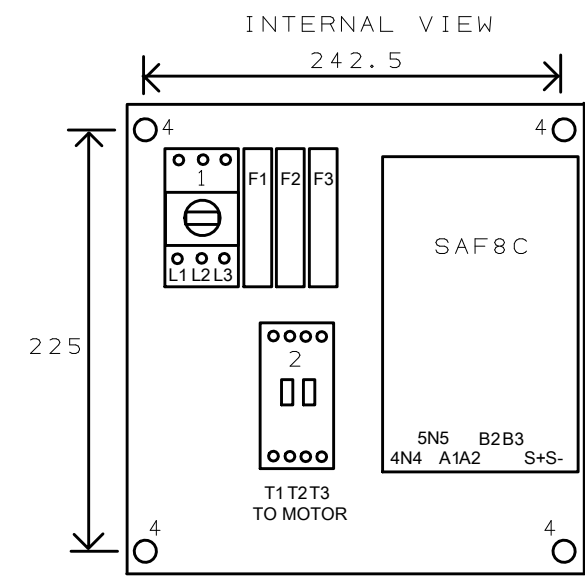
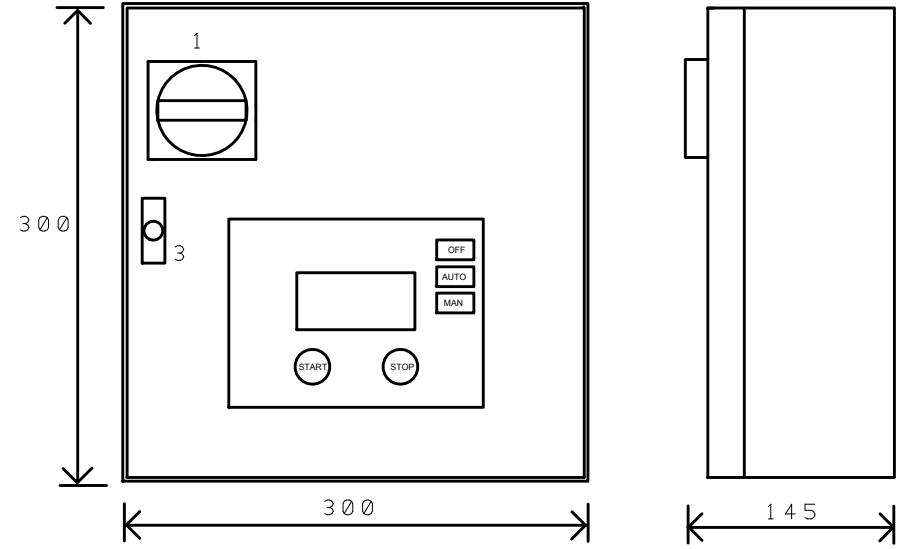
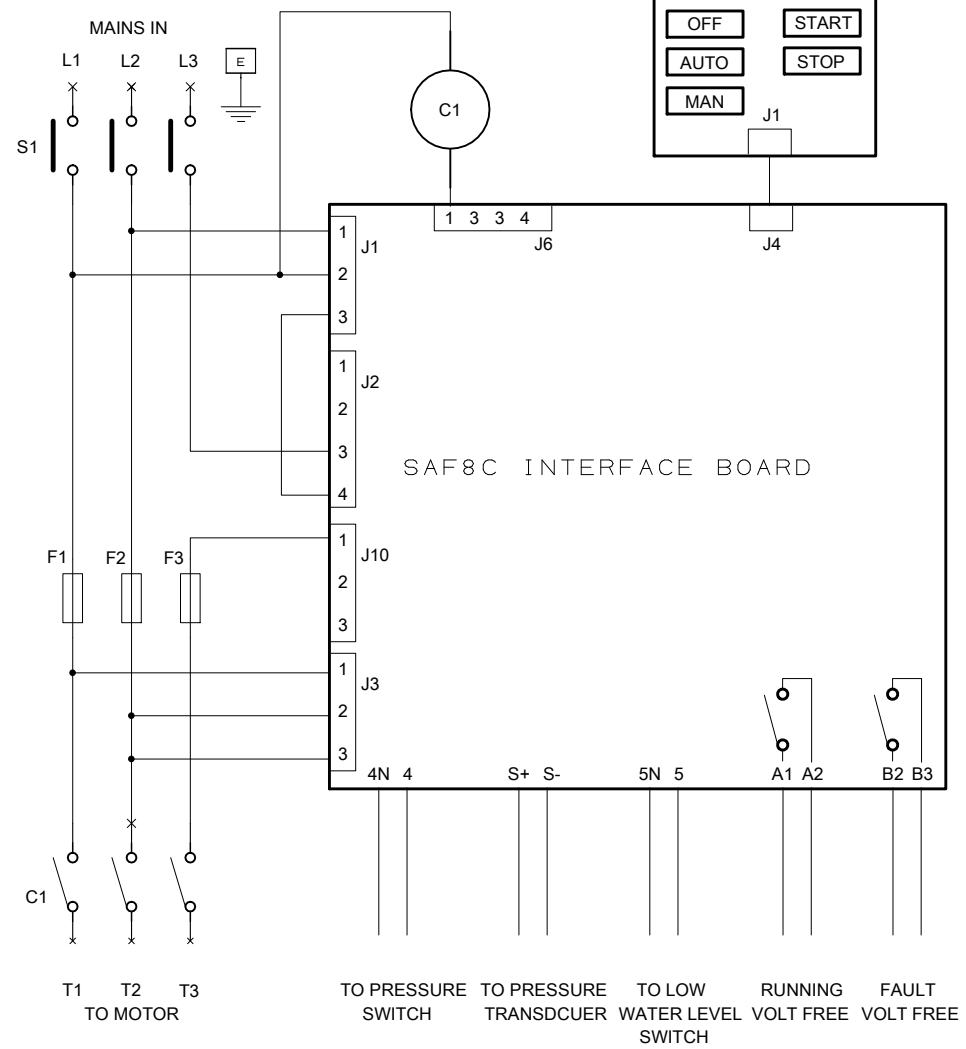
D

E

F

SCHEMATIC DIAGRAM

EXTERNAL VIEW



ITEM	DESCRIPTION
1	AC ISOLATOR, S1
2	MOTOR CONTACTOR, C1
3	DOOR HANDLE
4	MOUNTING HOLE, M6
5	.
6	.

RATING: 415V UP TO 7.5kW
380-415V, 3 PHASE 50/60Hz

DO NOT SCALE

PROJECT: H350s JOCKEY PUMP PANEL		HARRIJESS LTD GRANTHAM ENGLAND
DRAWING TITLE: GENERAL ARRANGEMENT		
DRAWN BY: DAVID CARTER		REVISION: 2
SHEET: 1 OF 1	STATUS: PRODUCTION	
DATE: 17/1/2019	<HARRIJESS>	

JS028 REV02