

A

B

C

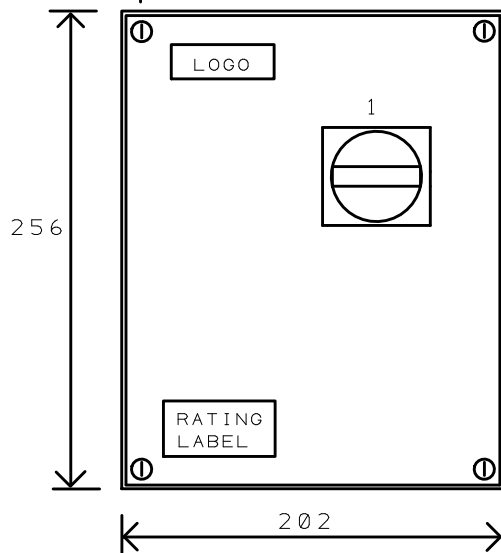
D

E

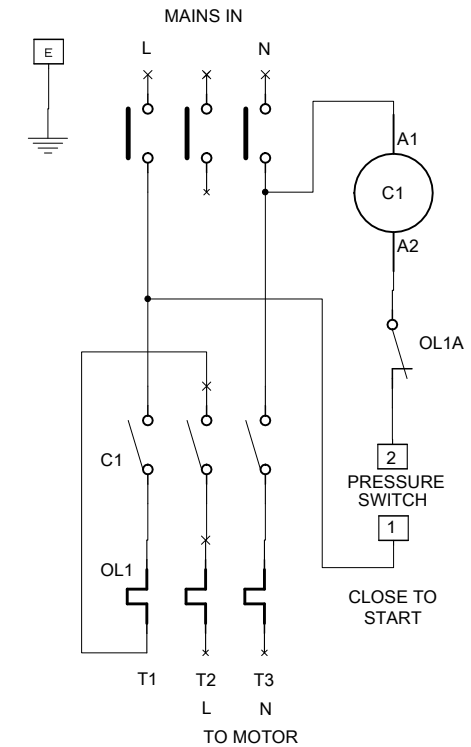
F

## EXTERNAL VIEW

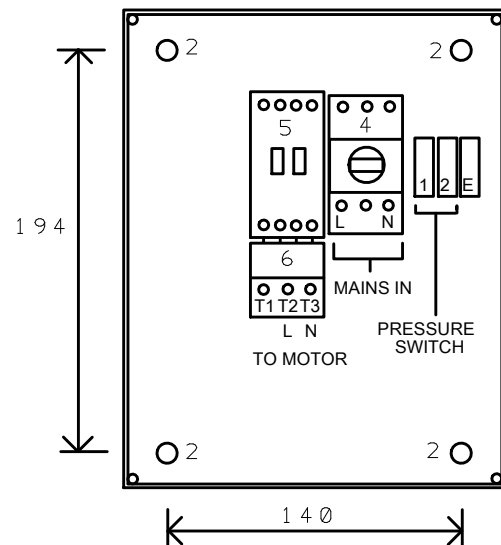
HINGED THIS SIDE



## SCHEMATIC DIAGRAM



## INTERNAL VIEW



ITEM	DESCRIPTION
1	AC ISOLATOR
2	4x MOUNTNG HOLES
3	.
4	SWITCH DISCONNECT
5	MOTOR CONTACTOR
6	MOTOR OVERLOAD

RATING: 230V UP TO 2.2kW, FLA=8A  
 230V, SINGLE PHASE  
 MATERIAL: 2MM TECHNOLPOLYMER  
 FINISH: SMOOTH WALL  
 INGRESS: IP56  
 LOVATO CONTACTOR

PROJECT: H300A UK JOCKEY PUMP PANEL  
 DRAWING TITLE: GENERAL ARRANGEMENT  
 DRAWN BY: DAVID CARTER REVISION: 1

HARRIJESS LTD  
 GRANTHAM  
 ENGLAND

SHEET: 1 OF 1 STATUS: PRODUCTION

DATE: 22/2/2018

<HARRIJESS>

JG046 REV01

DO NOT SCALE