

A

B

C

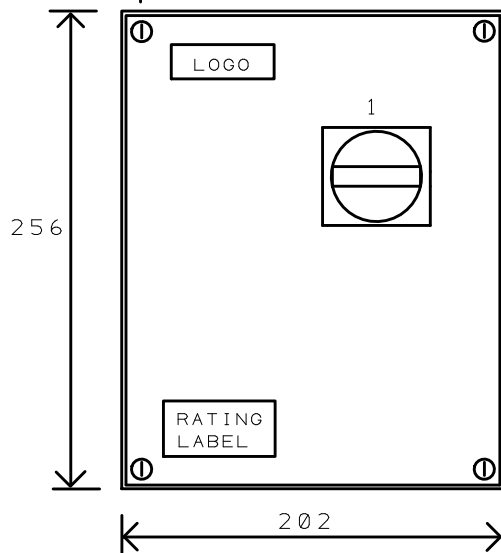
D

E

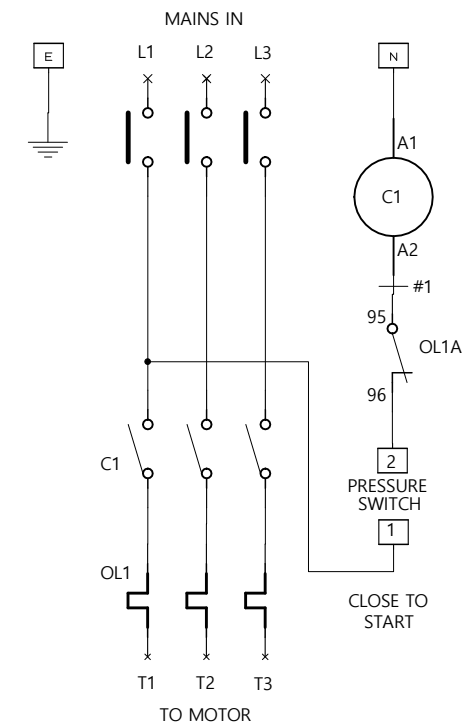
F

EXTERNAL VIEW

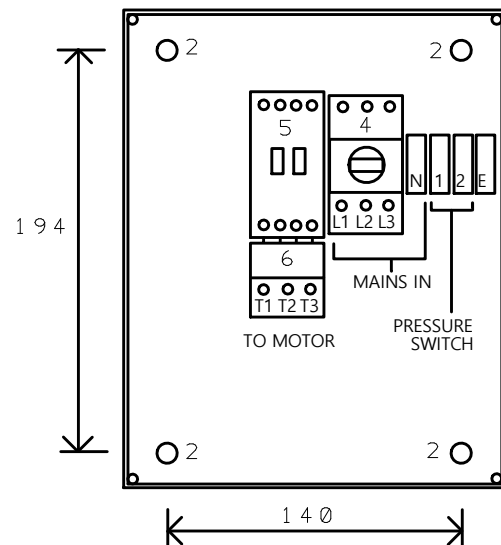
HINGED THIS SIDE



SCHEMATIC DIAGRAM



INTERNAL VIEW



ITEM	DESCRIPTION
1	AC ISOLATOR
2	4x MOUNTNG HOLES
3	.
4	SWITCH DISCONNECTOR
5	MOTOR CONTACTOR
6	MOTOR OVERLOAD

#1 INTERNAL CONNECTION,
BETWEEN CONTACTOR & OVERLOAD.

RATING: 415V UP TO 11kW
415V, 3 PHASE & NEUTRAL
MATERIAL: 2MM TECHNOLPOLYMER
FINISH: SMOOTH WALL
INGRESS: IP56
LOVATO CONTACTOR

PROJECT: H300A UK JOCKEY PUMP PANEL
DRAWING TITLE: GENERAL ARRANGEMENT
DRAWN BY: DAVID CARTER REVISION: 4

HARRIJESS LTD
GRANTHAM
ENGLAND

SHEET: 1 OF 1 STATUS: PRODUCTION

DATE: 29/4/2019

<HARRIJESS>

JG002 REV04

DO NOT SCALE